

# How To Power Other Equipment From The Goldline GL-235 Control

DESCRIPTION: This illustration shows the use of an external relay such as Grainger's 4E943-945 to power external equipment such as a pump from the GL-235 control. In all cases, electrical codes must be followed and the proper relay contact ratings must be selected for the amperage demands of the equipment. In this drawing, the external relay coil is powered by the 115 vac switched through the GL-235 on the same circuit as the PCS2.

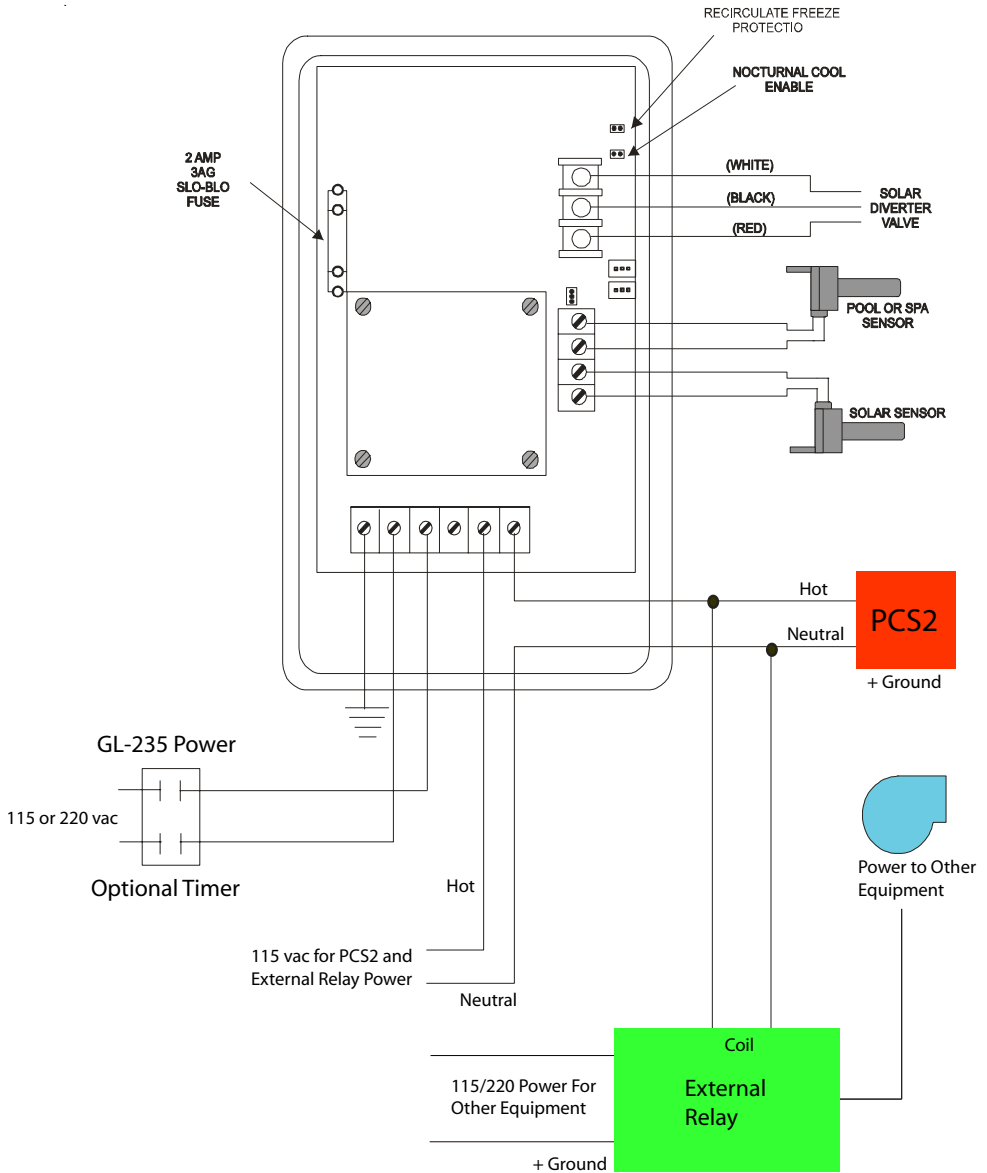


Figure 4A. GL-235 High Voltage Output used to power PCS2 and External Relay. The external relay is then used to power other equipment such as the pool pump.