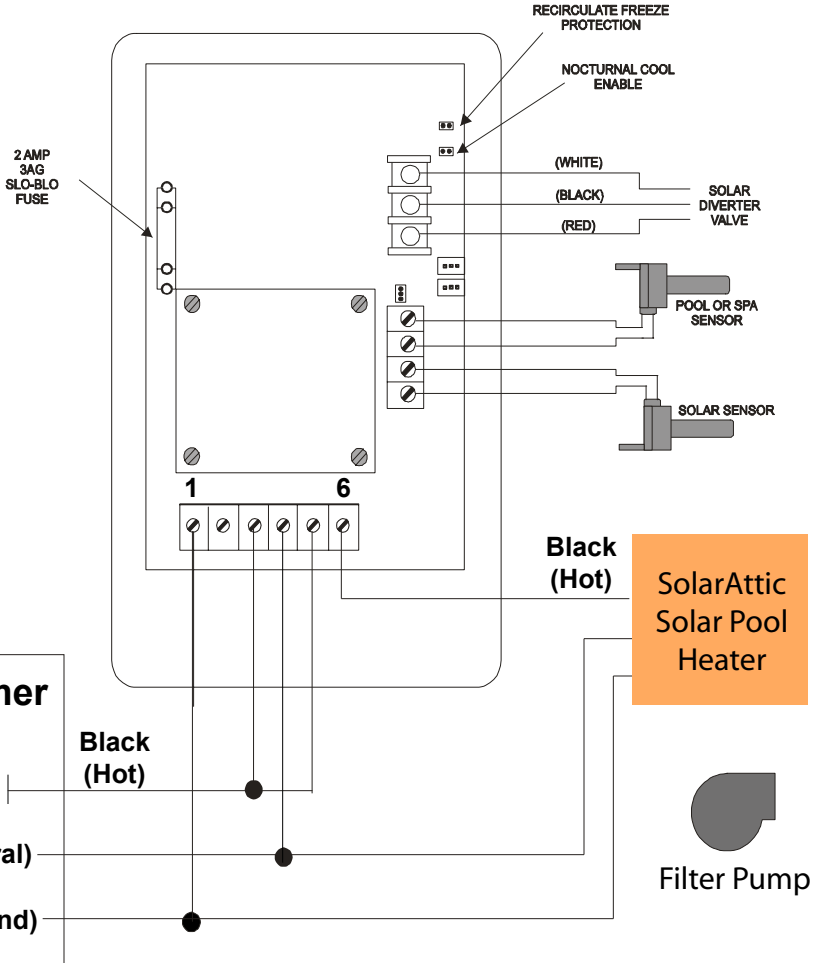


# 115 VAC Timer Wiring Diagram



## GL-235 Terminal Wiring

- 1 - Ground from timer (green)
- 2 - No connection
- 3 - 115 vac Hot from timer (black)
- 4 - 115 vac Neutral from timer (white)
- 5 - 115 vac Hot to GL-235 Relay (black)
- 6 - 115 vac Hot From Relay to SolarAttic Outlet (black)
- Neutral Directly To SolarAttic Outlet (white)
- Ground Directly To SolarAttic Outlet (green)