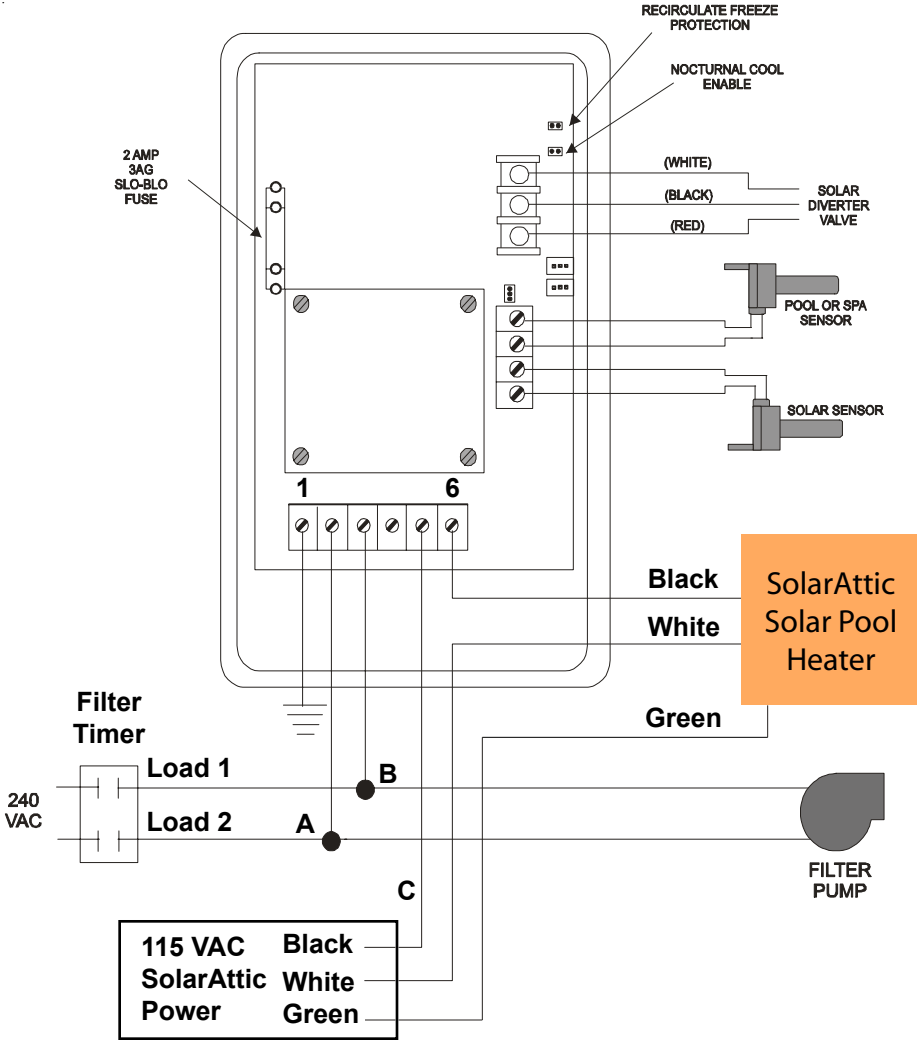


220 VAC Timer Wiring Diagram



POWER NOTE: 115 vac is present at points A and B as measured to ground and if sufficient current is available, either may be used at point C to power the SolarAttic unit by connecting point A or B to C. Neutral and ground is routed directly to the SolarAttic outlet box in the attic. The hot side of 115 vac to the SolarAttic outlet box is supplied from terminal 6 (GL-235 relay output).